

Foodservice Equipment • Material Handling, Healthcare & Cleanroom Equipment • Retail Display

NEW **HFL-5000 Touch Free Handwashing Systems**

Item #: _____
 Model #: _____
 Project #: _____
 SIS #: _____

Short Form Specifications

Eagle Handwashing System, model HFL-5000. Constructed of type 304 stainless steel with deep-drawn positive drain sink bowl, basket drain, inverted "V" edge to prevent spillage, removable stainless steel trash container, and MICROGARD® antimicrobial protection. T&S electronic eye faucet with hydro-generator, automated touchless paper towel dispenser, hands-free hand sanitizer dispenser, hands-free soap dispenser, glove rack and white bristle nail brush.



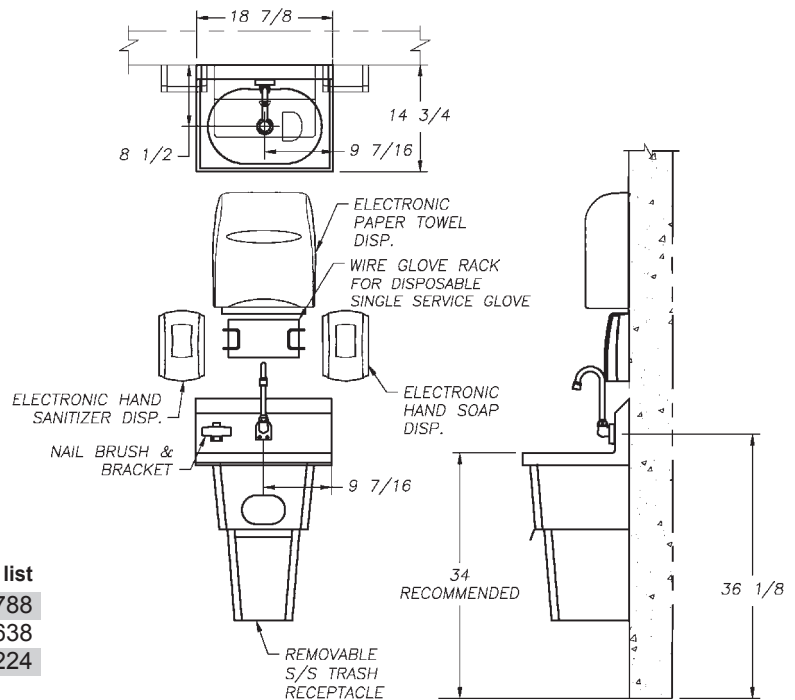
HFL-5000 Components:

- **Eagle** hand sink model #HSA-10-FE-B-T-NB-MG with MICROGARD® antimicrobial protection.
- **Kimberly-Clark** touchless towel dispenser. Eagle part #377454. Use Kleenex #50606 or Scott #02000 towel roll.
- **T&S** electronic eye faucet, splash mounted with battery-saving hydro-generator power source. A LEED-friendly combination with the flow of water creating its own power source. Eagle part #369865.
- **Purell/LTX** hand sanitizing dispenser. Eagle part #377455.
- **Gojo/LTX** hand soap dispenser. Eagle part #377456.
- **FoodHandler** glove rack with single service gloves. Model #11-0012. Eagle part #352855.
- **Tucel** soft bristle white nail brush. Model #1832. Eagle part #348602.

NOTE: Model HFL-5000 by EAGLE is listed under Kochman AutoCAD symbol library for foodservice equipment.



#HFL-5000 with towel dispenser, soap dispenser, hand sanitizer dispenser and glove box holder



description of hand sink included	model #	list
with waste receptacle	HFL-5000	3788
with skirt (no waste receptacle)	HFL-5000-S	3638
with waste receptacle and end splashes	HFL-5000-LRS	4224

Spec sheets available for viewing, printing or downloading from our online literature library at www.eaglegrp.com